



LEX 30



Insulated loft ladder with 3-section ladder.

Best in class loft ladders for home environments, the LEX 30 combines Swedish quality with first class design and functionality. The compact loft ladder is manufactured from slow grown spruce and is known around the world for its strong design, durability and easy fitting. In the closed position, it does not take up space in the loft. Hatches are available in two sizes.

A product from



Product	Frame outer measurements (mm)	Inner measurements (mm)	Type of ladder	Standard ceiling height (max mm)	Insulation	U-value* (W/m ² °C)	Fire standard
LEX 30	540 x 1130	492 x 1074	3-section in wood	2700 (-3200)	30mm cellular plastic	0.82	no
LEX 30	670 x 1130	622 x 1074	3-section in wood	2700 (-3200)	30mm cellular plastic	0.82	no

*U-value determination carried out by SP Technical Research Institute of Sweden.

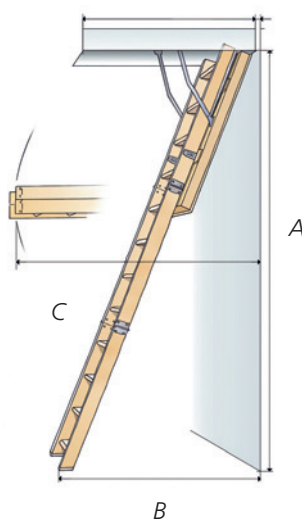
Length adjustable to ceiling heights greater or less than 2700mm by an extension unit and cutting. LEX 30 can be custom made in the measurement range: width 540-900mm and length 1070-1400mm. The measurements of the opening in the ceiling construction are 15-20mm larger than the specified frame outer measurements.

LEX 3-section loft ladder

Supplied ready to fit with untreated frame and hatch, three point lock, 800 mm key/operation rod, symmetrical spring balancing and protective pads. Insulation: 30mm cellular plastic.

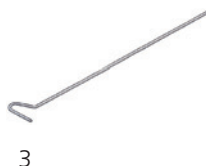
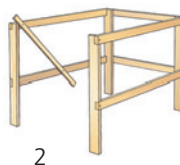
The ladder's position on the floor in the extended position for different ceiling heights in millimetres:

A: Ceiling height	B: Position on floor	C: Corridor measurements
2400	1160	1540
2500	1200	1540
2700	1305	1540



Accessories

1. Extension section in wood, 3-section.
Applies to ceiling heights 2700-3200mm.
2. Guard rail D1003.
Max frame outer measurements 700x1300mm.
3. Key/operation rod 1050mm.
4. Universal hand rail, in white metal.



A product from

