



LUX A1120



## 3-section loft ladder with hatch in elegant, moulded compound.

The LUX A1120's stylish finish and technological precision makes it the obvious choice for the discerning purchaser. The 3-section ladder is made from slow grown spruce and is, in closed position, accommodated on the elegant white moulded compound hatch. This, combined with the white veneered wooden frame, makes the unit a beautiful addition to most modern homes. Insulation and liner for minimum draught and heat loss. Clever gas spring balancing when opening and closing. U-value 0.54.

A product from



Product	Frame outer measurements (mm)	Inner measurements (mm)	Type of ladder	Standard ceiling height (max mm)	Insulation	U-value* (W/m <sup>2</sup> °C)	Fire standard
LUX A1120	570 x 1116	515 x 1045	3-section in wood	2650 (-3200)	50mm polystyrene	0.54	no

Length adjustable to ceiling heights greater or less than 2650mm by an extension unit and cutting.  
The measurements of the opening in the ceiling construction are 15-20mm larger than the specified outer measurements.

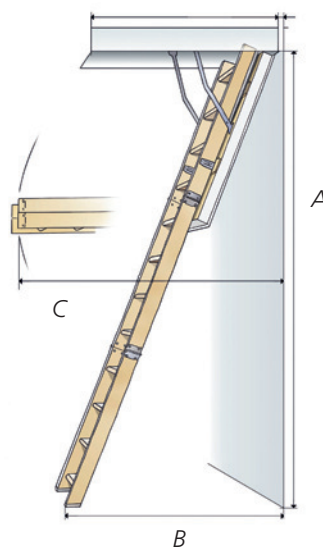
\*U-value determination carried out by SP Technical Research Institute of Sweden.

### LUX 3-section loft ladder

Supplied ready to fit with white surface treated frame, hatch of moulded compound, gas spring struts, 3-point lock with 800mm key and protective pads. Insulation of 50mm polystyrene and integrated plastic liner for European climates.

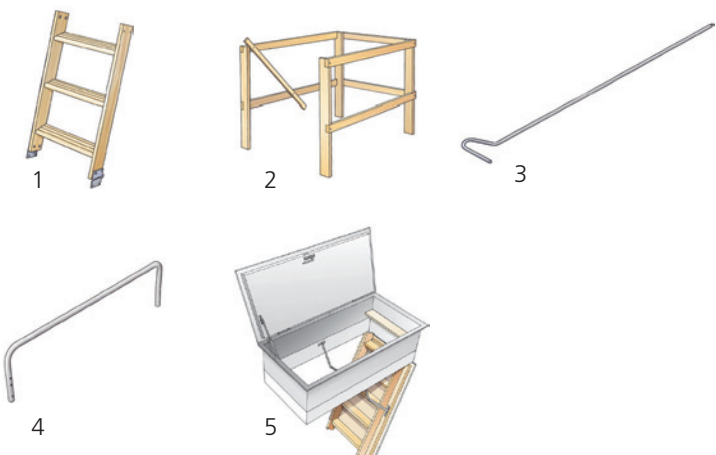
#### The ladder's position on the floor in the extended position for different ceiling heights in millimetres:

A: Ceiling height	B: Position on floor	C: Corridor on measurements
2400	1255	1545
2500	1300	1545
2650	1360	1545



### Accessories

1. Extension section in wood, 3-section.  
Applies to ceiling heights 2650-3200mm.
2. Guard rail in wood. For safer trips up to your loft.
3. Key/operation rod 1050mm.
4. Universal hand rail, in white metal.
5. LUX D1020. Noise insulating and heat saving upper hatch specially designed for today's high energy requirements. Provides, where combined with loft ladders in the same series, a U-value of 0.33 W/m<sup>2</sup>°C. Insulation of 50mm polystyrene.



A product from

