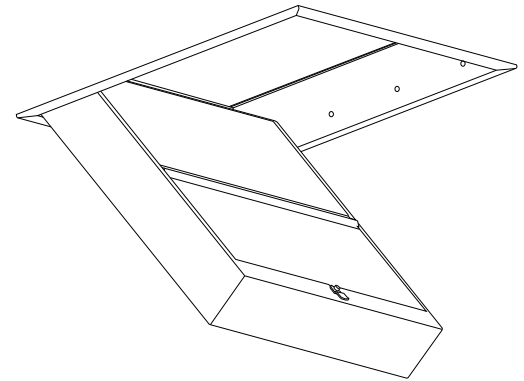
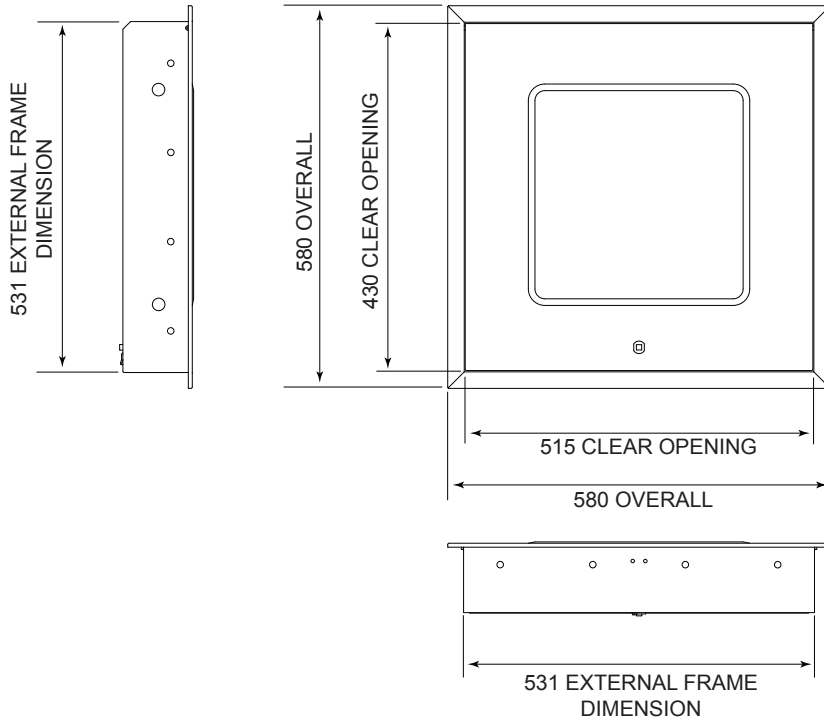


One Hour Fire Rated Drop Down Loft Access Door

CODE GL 270 F

CODE GL 271 F



Note: - GL 271 F INCLUDES A EURO KEY LOCK

Description:

The **GL 270 F** Drop Down One Hour Fire Rated Loft Access Door is designed to be flush fit to the ceiling and to fit between 600mm centre trusses. The modern design fits in with almost all house decor styles. Finished with a light texture, the door can be easily cleaned with a solvent free, damp cloth, or alternatively can be painted to match the surrounding decor.

Draught seals are located to all 4 sides of the door and seal to the frame complete with latch (euro lock GL 271 F) preventing the problem of moist, warm air entering the roof space.

The Fire Rated Loft Door (GL 270 F) comes with a budget lock and 'T' key as standard, or can be supplied with a euro lock (GL 271 F).

References:

| | |
|------|----------------------|
| BRE | Digest 262 |
| BSI | BS5250 |
| DOE | Building regs L1, L2 |
| NHBC | Good practice guide |
| NHBC | Standards 7.2 |
| BS | 476 : Part 22 |

| | |
|------|--------|
| WRFC | 157180 |
|------|--------|

| | |
|-----------------|--|
| PACKING DETAILS | Individually Packaged in Cardboard Box |
| MATERIAL | Zintec Electro Galvanised Mild Steel Finished in Polyester Powder Coat (White) |
| SEAL | PVC Foam |
| INSULATION | Mineral Fibre |
| U-VALUE | 0.35 W/(Km ²) |
| BOX WEIGHT | 8.5 Kg |

MANTHORPE BUILDING PRODUCTS LTD
 MANTHORPE HOUSE
 BRITAIN DRIVE
 CODNOR GATE BUSINESS PARK
 RIPLEY
 DERBYSHIRE DE5 3ND

TEL: 01773 514 200
 FAX: 01773 514 262
 EMAIL: sales@manthorpe.co.uk
 WEB: www.manthorpe.co.uk

DRN M.R Date 26.09.07

The company maintains a policy of continuous development of its product range and reserves the right to amend the specification without notice.

DRG No

MBP 8201

Issue

H